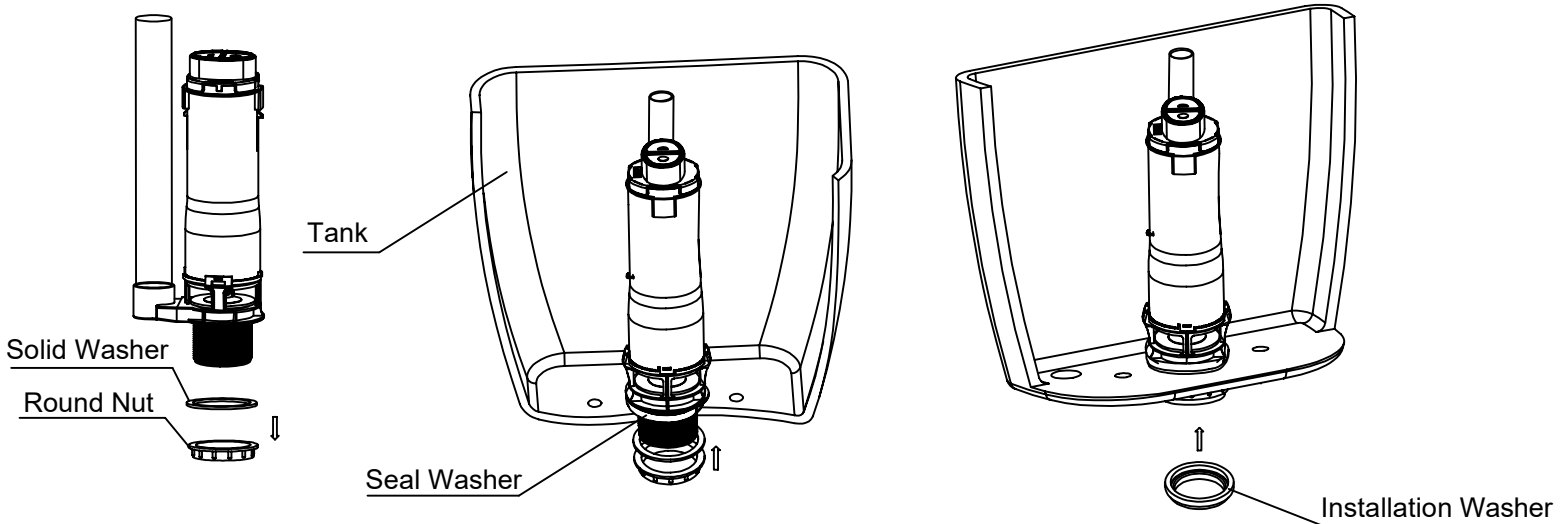


Installation Illustration of N245318

Flush valve installation(NP245)

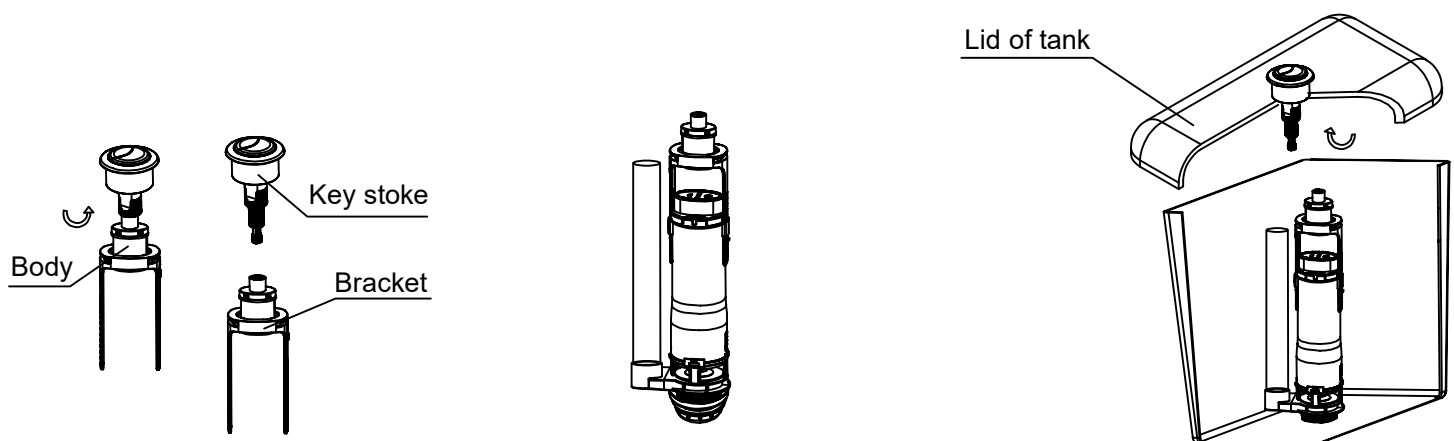


Unscrew the round nut from the seat connector and also take out the solid washer.

Insert the flush valve with seal washer into the outlet part of tank. After adjusting the flush valve to its right place, screw the round nut to seat connector and tighten it.

Nest the installation washer in the round lock nut and bolt washer in the connection bolt respectively. Fix the tank with flush valve installed to the closet with connection bolt and connection lock nut tightly.

Dual Push Button (NK318)



Take out key stroke from the body.

Insert the bracket into the according position of the flush valve and adjust its height as the requirement.

Cover the lid of tank screw the key stroke into the thread of the bracket. Check and assure the function of push button is normal without any interference.