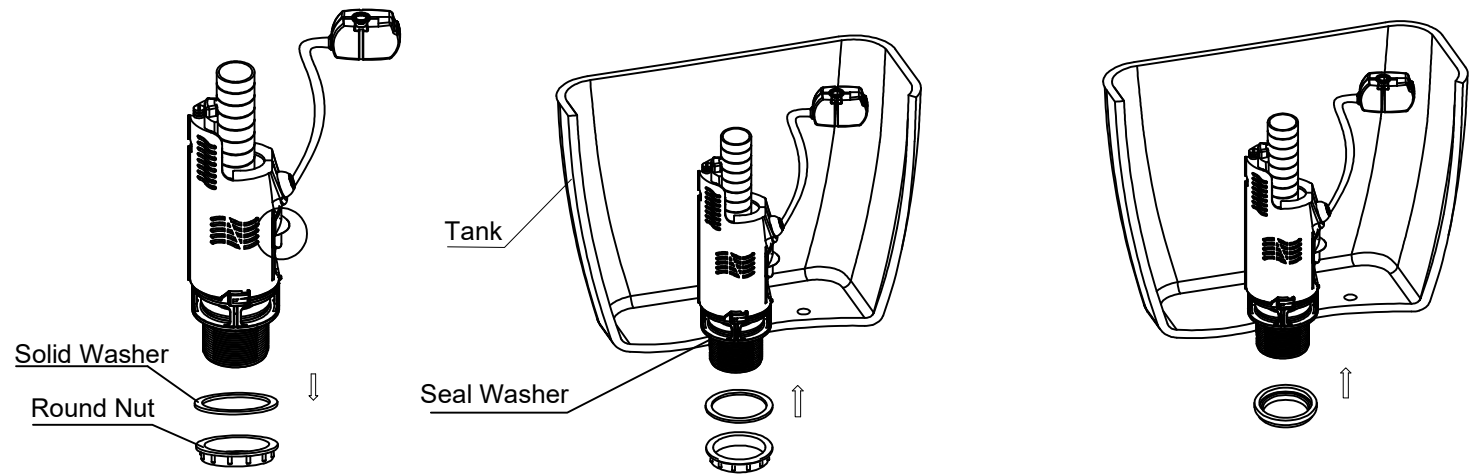


Installation Instruction of NP259+NK308

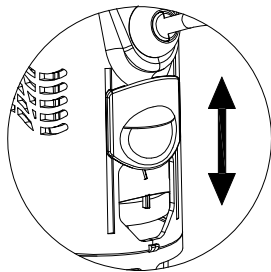


Unscrew the round nut from the seat connector and also take out the solid washer.

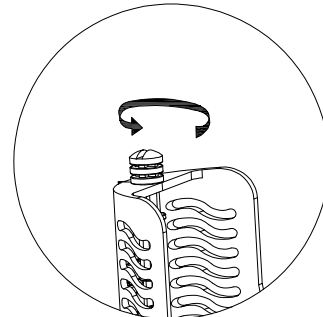
Insert the flush valve with seal washer into the outlet part of tank. After adjusting the flush valve to its right place, screw the round nut to seat connector and tighten it.

Nest the Rubber washer in the round lock nut. Fix the tank with flush valve installed to the closet with connection bolt and connection lock nut tightly.

- 1** Position 1:Residual minimum./position4:Residual maximum
Residual: volume d eau restant apres grande chasse.
Position 1:Min residual / Position4:Max residual
Residual:quantity of remaining water after the total flush.
Posicion 1:Residual minimo / Posicion 4:Residual maximo.
Residual:cantidad de agua restante despues de la descarga total.



- 2** Reglage de la petite chaise
Partial flush regulation
Regulacion descarga parcial

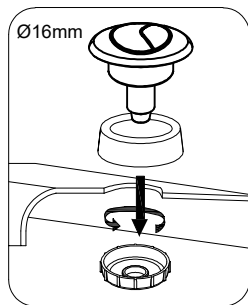
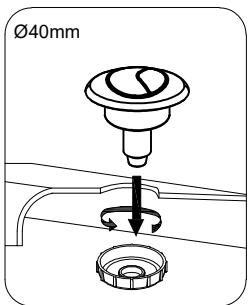


Plus le flotteur est haut moins le volume d eau est important.

The higher the floater ,the less partial flush.

La boya en la posicion mas alta indica menor descarga parcial

- 3** Fixer le bouton de commande
Place the push button
Colocar pulsador



- 4** Connecter le kit de cable
Cable kit connection
Conexion del kit de cable

