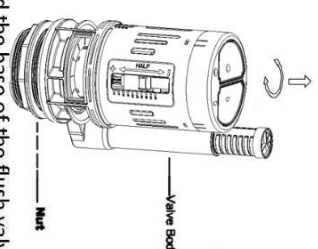
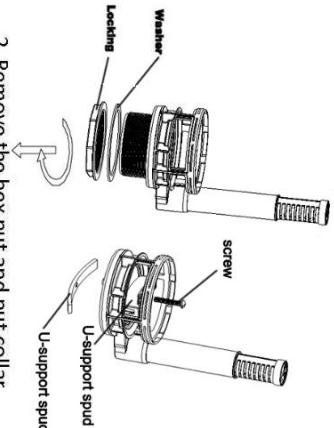
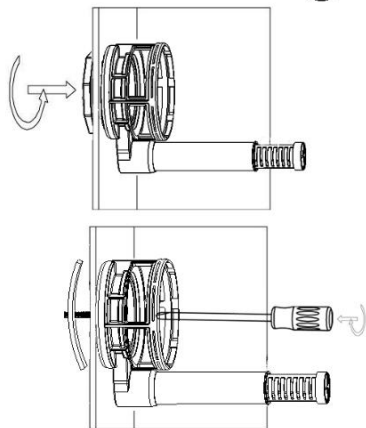
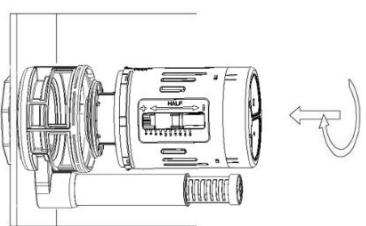
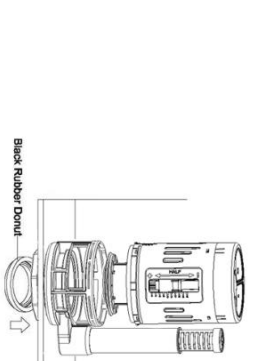
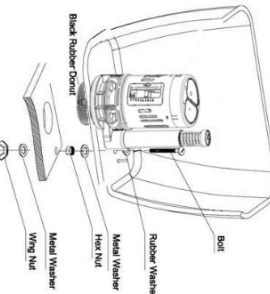


Installation Instructions

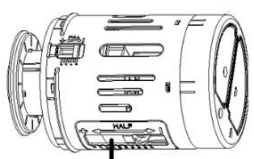
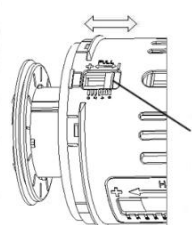
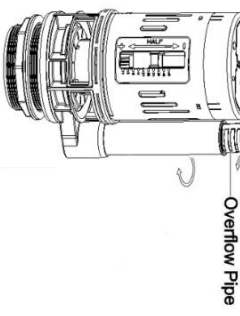
Note: Be sure to shut off the water supply and remove your toilet tank according to original manufacturer's instructions before proceeding with this installation.

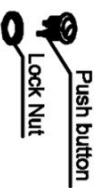
A. Dual Flush Valve Mechanism Installation (NP266)

1. Hold the base of the flush valve and rotate body counter-clockwise to separate it from the base.
 
2. Remove the hex nut and nut collar from the flush valve base. DO NOT remove the seal.
 
3. Insert the flush valve's base into the water tank. Screw on the nut collar and hex nut. Snug it up tight with your hand.
 
4. Take the body of flush valve and set it into the base and lock in place by rotating it clockwise.
 
5. Insert the tank to bowl rubber gasket onto the flush valve's outlet bottom.
 

6. Fasten the tank to bowl. Use new bolts/nuts if needed. Make sure the bolts have the black rubber washer under the bolt's head.
 

B. Flush Handle Installation

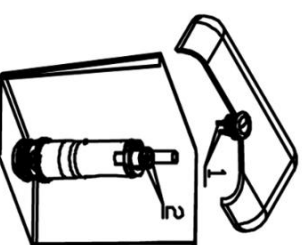
7. Adjust the half flush volume by sliding the blue flow adjuster up or down. When the float is higher, the discharge water volume is less. Slide the flow adjuster down a little to arrive at the correct amount of water needed for the 1/2 flush.
 
8. Adjust the full flush volume by adjusting the red flow adjuster. When the float is higher, the discharge water volume is less. Slide the flow adjuster down to arrive at the correct amount of water needed for a full flush.
 
9. Adjust the overflow pipe to correspond with the bowl fill tube so that tube is above the water line when tank is full.
 



Unscrew the lock nut from push button by hand.



Insert the push button into the hole of tank cover and screw the lock nut into the thread of push button from the inner side of tank cover. (But keep it loose)



Make sure the two poles of push button direct to the switch of flush valve correctly, and screw the lock nut tightly. Cover the tank after installing flush valve as illustrated. Check and assure the function of push button is normal with out any interference.